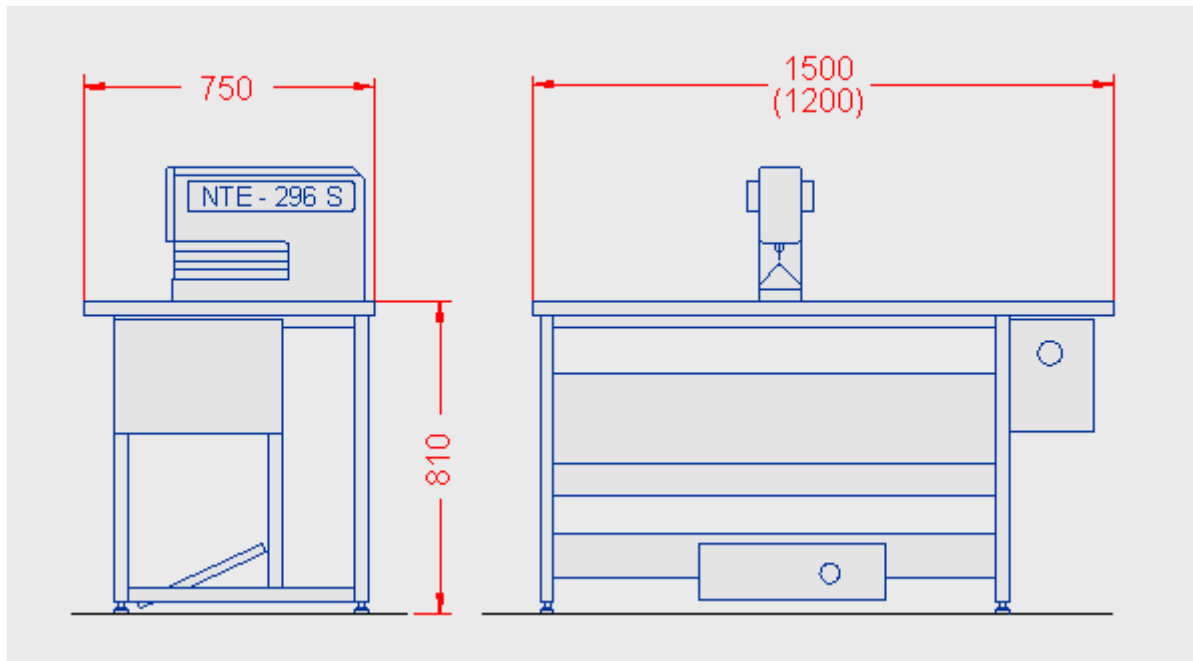
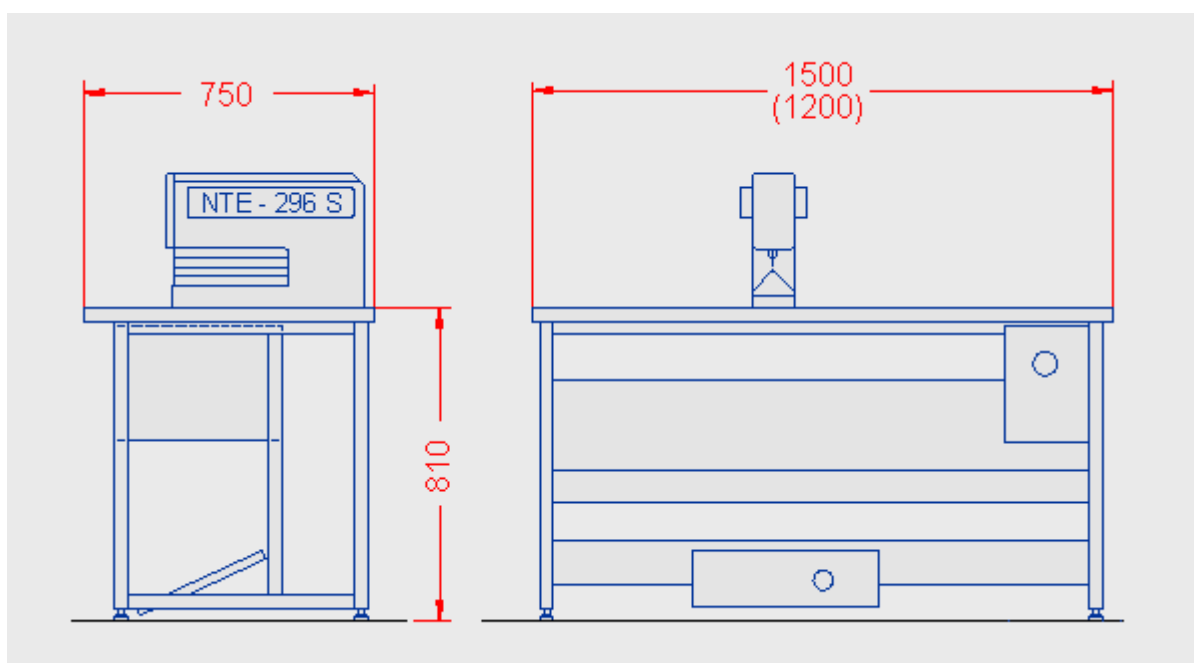


**Work-table for**  
**NTE-296 S + 296 S2**  
**NTE-350 S + 350 S2**  
**Data sheet**

Electrical control on the right outside. (standard)

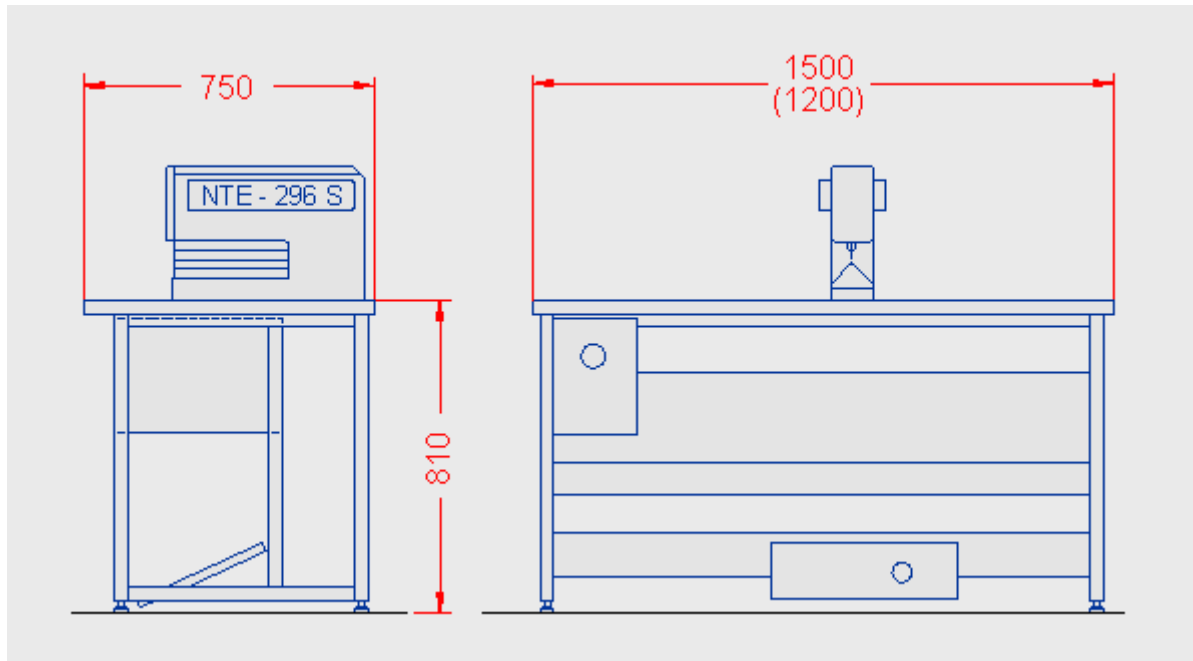


Electrical control on the right inside. (option)



**Work-table for**  
**NTE-296 S + 296 S2**  
**NTE-350 S + 350 S2**  
**Data sheet**

Electrical control on the left outside. (option)



Electrical control on the left inside. (option)

